



# Big Dutchman®



## **NATURA® Step**

Multi tier open access aviary layer system



# NATURAStep

## Organic Cage-Free Layer System

The NATURAStep is designed for those who require organic certification.

- Completely open design for easy movement throughout the entire system
- Innovative step for easy movement between system levels
- Each system row is independent and can stand alone
- Patented tiltable nest design
- Zn-Alu wire coating allows for a clean system
- Extra-wide egg belt
- Easy to manage design

### ORGANIC CAGE-FREE AVIARY SYSTEM:



For those who require organic cage-free certification, the NATURAStep is the ideal system with a completely open design. NATURAStep is a proven design which offers your flock the ability to move freely with ease, and is a system that's easy to manage.

- System design encourages bird movement, resulting in quality litter in the litter aisles
- Management of the system is all done from the litter aisles
- Easy access to fresh feed and water

### PERCHES AND PERCH PLACEMENT:



There's science in perch design and placement. Perches allow your flock to have a place to relax, and the design of the perches provide comfort. The placement of perches encourage flock movement which relaxes the flock, and at the same time maximizes proper air circulation, resulting in a healthy and comfortable environment.

The patented approach perch is designed to protect any mislaid eggs. It also positions the hens to face outside of the system while roosting, allowing the manure to fall onto the manure belt, resulting in lower ammonia levels and a cleaner system.

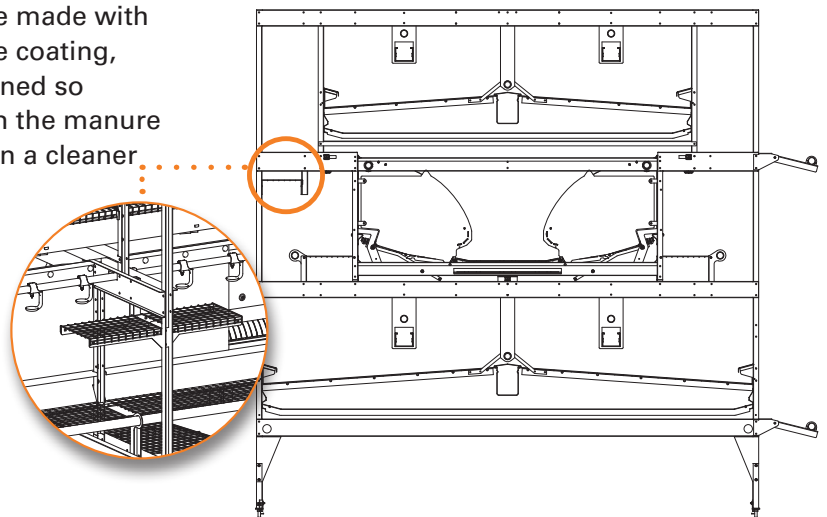


### EASY MOVEMENT VERTICALLY FROM ONE TIER TO ANOTHER:



The name NATURAStep comes from the unique steps, which are designed to allow easy movement from one tier to another.

These steps are made with our Zn-Alu wire coating, and are positioned so manure falls on the manure belt, resulting in a cleaner system.



### FRESH FEED FROM OUR CHAMPION® CHAIN FEEDING SYSTEM:

The CHAMPION chain feeding system presents feed at pre-set levels and allows birds easy access to feed. An extra wide trough and special lip design keeps feed in front of your hens, maximizing feed conversions.



### EASY ACCESS TO FRESH DRINKING WATER:



The hens have 360° access to fresh drinking water throughout the system. Each compartment is equipped with stainless steel nipples, providing every hen with easy access to water at any time. Drip water cups prevent corrosion and help to keep the manure dry.

### NEST ENVIRONMENT AND EXTRA WIDE EGG BELT:

The nest environment consists of a staging area, fresh drinking water, and the nest. The staging area is for the birds as they wait to enter the nest and as they leave the nest. The tilting nest floor and central egg belt work together to maximize egg production.

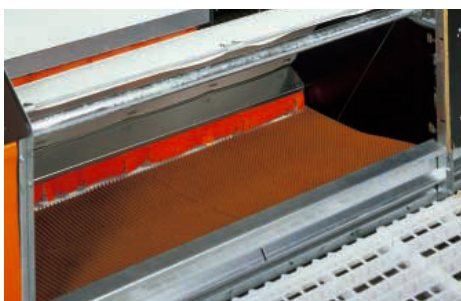


Nest staging area for birds as they wait to enter the nest, and for birds to have a drink as they leave the nest

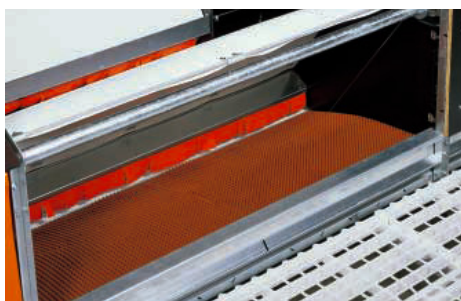


Extra-wide center located egg belt allows room for eggs to roll out, resulting in less cracks

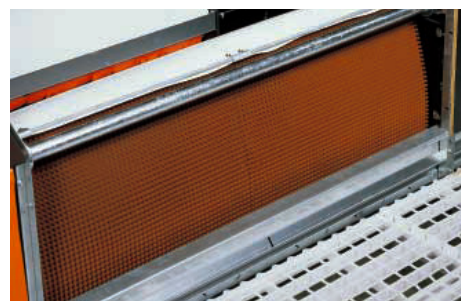
### OPERATION OF THE TILTING NEST FLOOR (PATENT-NO. EP 1 086 623 A2)



The egg belt is located in the center, allowing the eggs to be laid directly in front of the belt. This design ensures the shortest possible roll-off distance for the eggs, **minimizing the amount of cracked and checked eggs.**



Before the divided nest floor completely closes, it is first raised in the center slightly, which **provides a gentle egg roll off onto the center egg belt.**



The nest floor is raised completely, allowing any dirt to drop off the nest insert, and closes off the nest to **prevent hens from entering and brooding inside.**



## QUALITY LITTER:

Uniformity of lighting and ventilation, along with system design, result in even spacing of the hens throughout the house allowing the litter to dry thoroughly. This is ideal for the flock as they dust bathe, scratch, and act out other natural behaviors. The hens will pay more attention to the litter and less to each other, resulting in a calm and healthy flock.



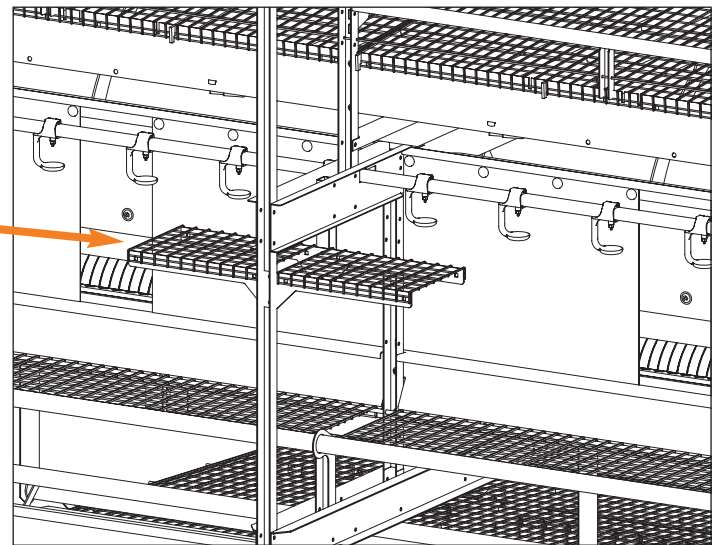
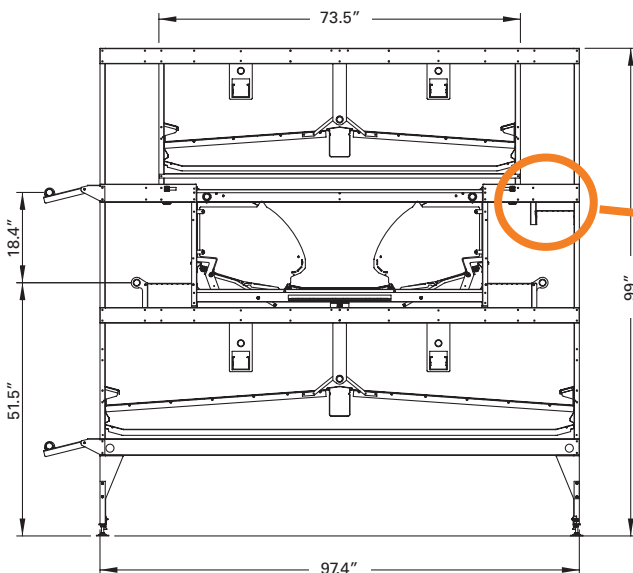
## SYSTEM MANAGEMENT:



With our NATURA® cage-free systems, flock inspection, gathering mislaid eggs, nest, feed and water inspection can all be done by walking the litter aisles.

**Waste management:** Proper manure drying reduces ammonia emissions in the house, minimizing any harm to the environment, and promoting the birds' well-being.

Manure drops through the Zn-Alu coated floor onto continuous polypropylene belts, and is then carried out of the building.



Integrated ascent support

Section length: 94.96" (241.2cm)



For USA, Canada and South America please contact:

Big Dutchman, Inc. - USA

3900 John F Donnelly Dr • Holland, MI 49424 • USA

tel +1 616 582 4000 • fax +1 616 392 6188

www.bigdutchmanusa.com • info@bigdutchmanusa.com

Technical details are subject to change. 7/2017

86-00-6025